



- Colours**
- Powder Coat**  
Charcoal  
APO Grey
  - Corrugated Sheet**  
N/A
  - Timber**  
N/A
  - HDPE Plastic**  
Bright Green/Orange/Bright Green
  - Wire Rope**  
Acid Green
  - Fibreglass Slide**  
N/A
  - Rotomoulded Plastic**  
N/A

 **Made in Australia**

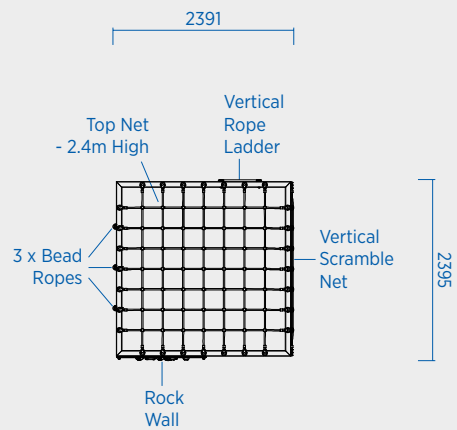




Plan and Concept - © Adventure Playgrounds Pty. Ltd. 2023. Illustrations are for visual only. Actual materials may vary.

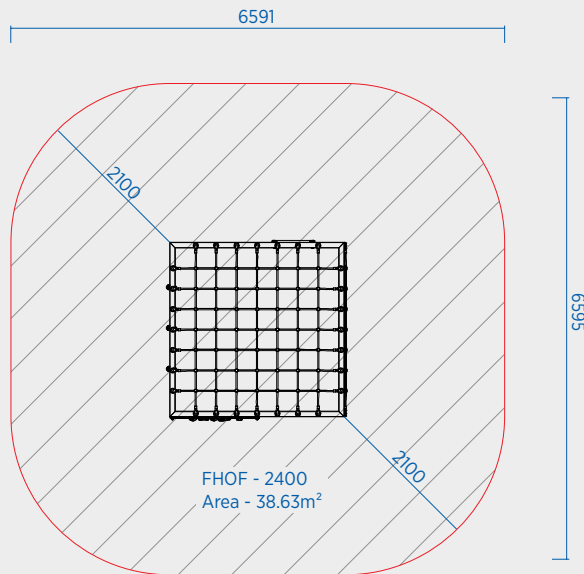
 Made in Australia





SCALE 0 1 2 3 4  
1:100

• Plans and illustrations are schematic only, actual detail may vary.  
Do not scale for dimensions. Allow 5% minimum additional clearance for site variations.



SCALE 1:100

- Provide undersurfacing in accordance with AS 4422:2016. Mulch undersurfacing should be 200mm minimum compacted depth.
- Plans and illustrations are schematic only, actual details may vary. Do not scale for dimensions. Allow 5% minimum additional clearance for site variations.
- FHO - Free Height Of Fall as per AS 4685:2021
- GC - Ground Clearance under swing attachments used to calculate impact area, free space and FHO
- Falling Space:
  - Minimum impact area as per AS 4685:2021
  - Required free space as per AS 4685:2021
  - Recommended clearance area
  - Circulation space as per AS 4685:2021