



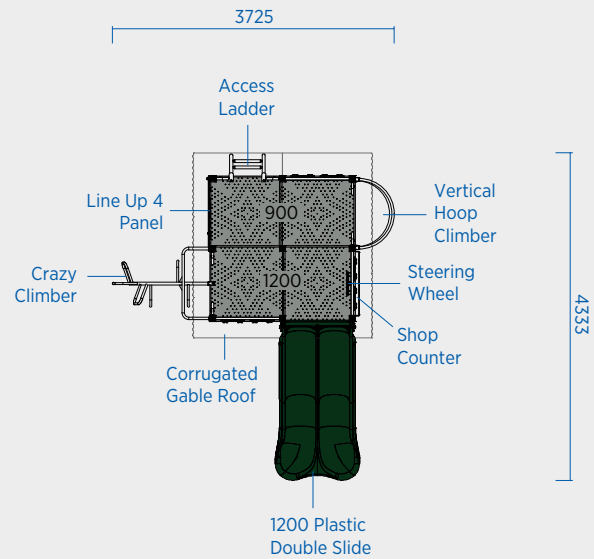
- Colours**
- Powder Coat**
  - Manor Red
  - Doeskin
  - Hawthorn Green
  - Corrugated Sheet**
  - Cottage Green
  - Timber**
  - N/A
  - HDPE Plastic**
  - Green/Beige/Green
  - Beige/Green/Beige
  - Wire Rope**
  - N/A
  - Rotomoulded Plastic**
  - Caulfield Green

 **Made in Australia**



Plan and Concept © Adventure Playgrounds Pty. Ltd. 2023. Illustrations are schematic only and do not represent any specific product.

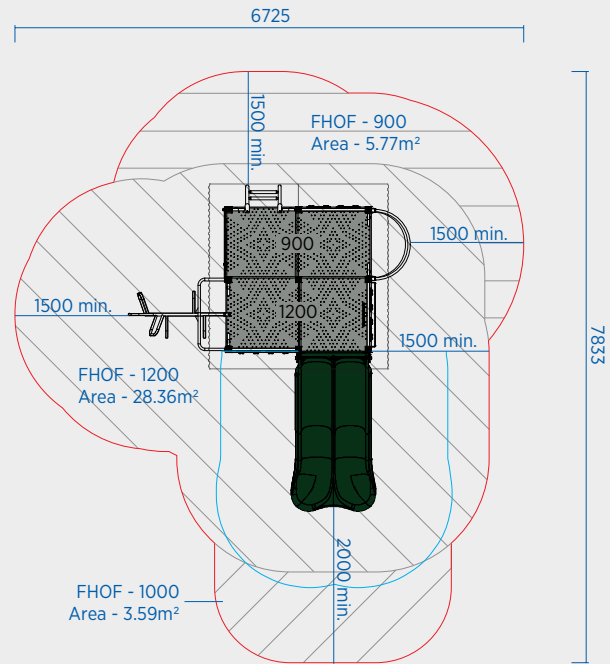
 Made in Australia



Standard Guardrail Panels: Plastic Panels

SCALE 1:100

• Plans and illustrations are schematic only, actual detail may vary.  
Do not scale for dimensions. Allow 5% minimum additional clearance for site variations.



SCALE  
1:100

- Provide undersurfacing in accordance with AS 4422:2016. Mulch undersurfacing should be 200mm minimum compacted depth.

- Plans and illustrations are schematic only, actual details may vary. Do not scale for dimensions. Allow 5% minimum additional clearance for site variations.

- FHOF - Free Height Of Fall as per AS 4685:2021

- GC - Ground Clearance under swing attachments used to calculate impact area, free space and FHOF

- Falling Space:

— Minimum impact area as per AS 4685:2021      — Required free space as per AS 4685:2021

- - - Recommended clearance area      - - - Circulation space as per AS 4685:2021