



Colours

Powder Coat
 Deep Pool
 Shale Grey
 Intensity Reef

Corrugated Sheet
 Shale Grey

Timber
 N/A

HDPE Plastic
 Blue/Yellow/Blue
 Grey/White/Grey

Wire Rope
 Blue

Rotomoulded Plastic
 French Blue

 **Made in Australia**



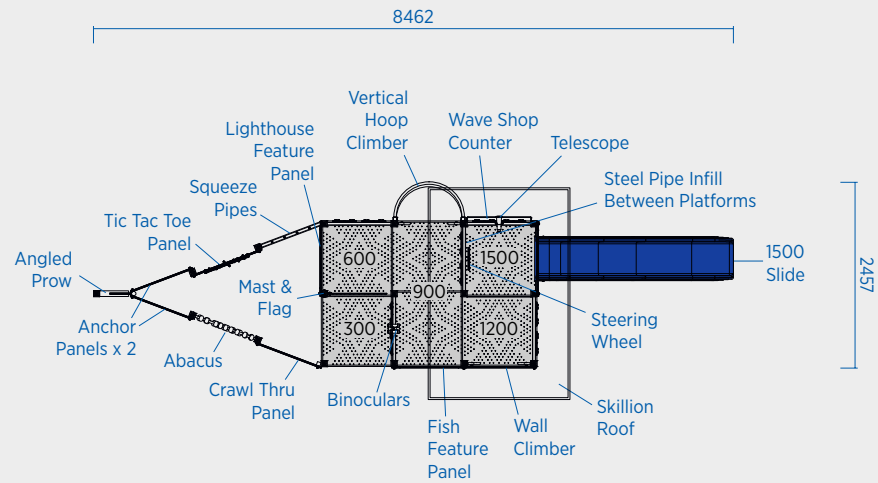
Plan and Concept © Adventure Playgrounds Pty. Ltd. 2023. Illustration is a schematic only and actual details may vary.

 Made in Australia



Plan and Concept © Adventure Play Systems Pty Ltd 2023. Illustrations are schematic only, actual details may vary.

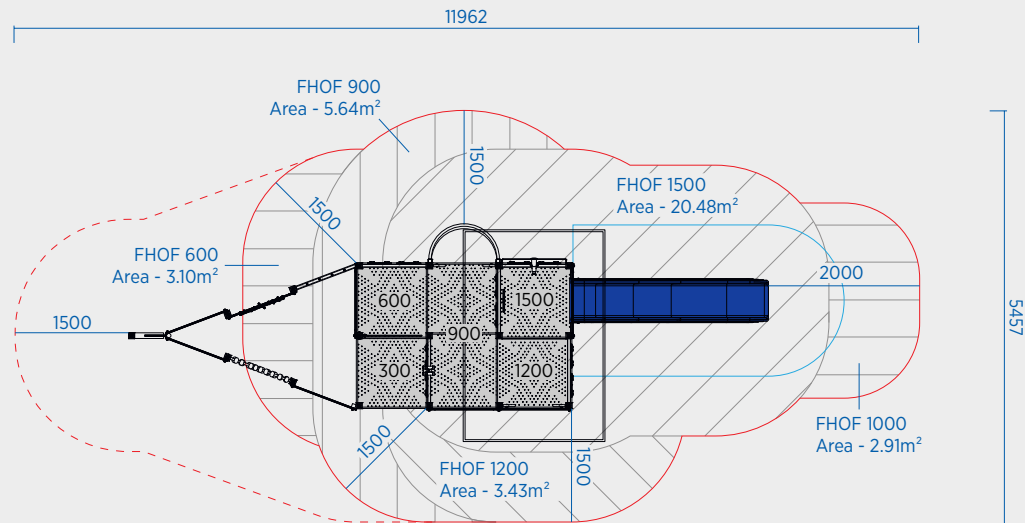
 Made in Australia



Standard Guardrail Panels: Plastic Panels

SCALE 1:100 0 1 2 3 4

• Plans and illustrations are schematic only, actual detail may vary.
Do not scale for dimensions. Allow 5% minimum additional clearance for site variations.



SCALE 1:100

- Provide undersurfacing in accordance with AS 4422:2016. Mulch undersurfacing should be 200mm minimum compacted depth.
- Plans and illustrations are schematic only, actual details may vary. Do not scale for dimensions. Allow 5% minimum additional clearance for site variations.
- FHOF - Free Height Of Fall as per AS 4685:2021
- GC - Ground Clearance under swing attachments used to calculate impact area, free space and FHOF
- Falling Space:

	Minimum impact area as per AS 4685:2021		Required free space as per AS 4685:2021
	Recommended clearance area		Circulation space as per AS 4685:2021