



- Colours**
- Powder Coat**
 - Intensity Reef
 - Deep Ocean
 - Intensity Moonlight
 - Corrugated Sheet**
 - Deep Ocean
 - Timber**
 - N/A
 - HDPE Plastic**
 - Blue/Yellow/Blue
 - Yellow/Red/Yellow
 - Wire Rope**
 - Blue
 - Rotomoulded Plastic**
 - Yellow
 - French Blue

 **Made in Australia**



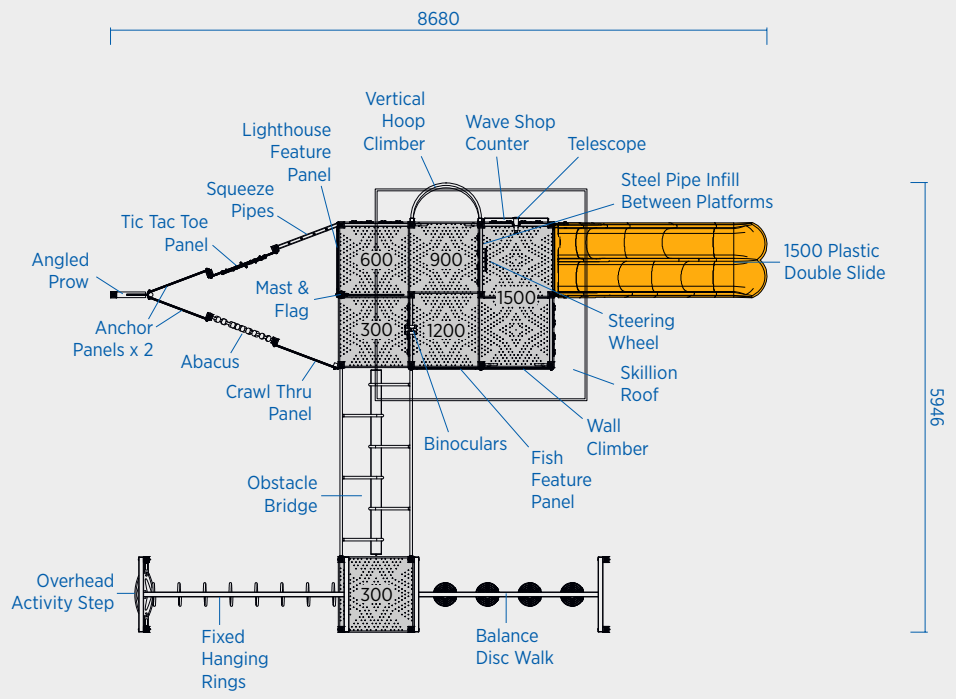
Plan and Concept - © Adventure Playgrounds Pty. Ltd. 2023. Illustration not to scale and subject to change without notice.

 Made in Australia

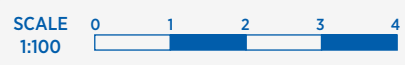


For more information, contact Adventure Playgrounds Pty. Ltd. 2023. Illustrations are schematic only, actual details may vary.

 Made in Australia

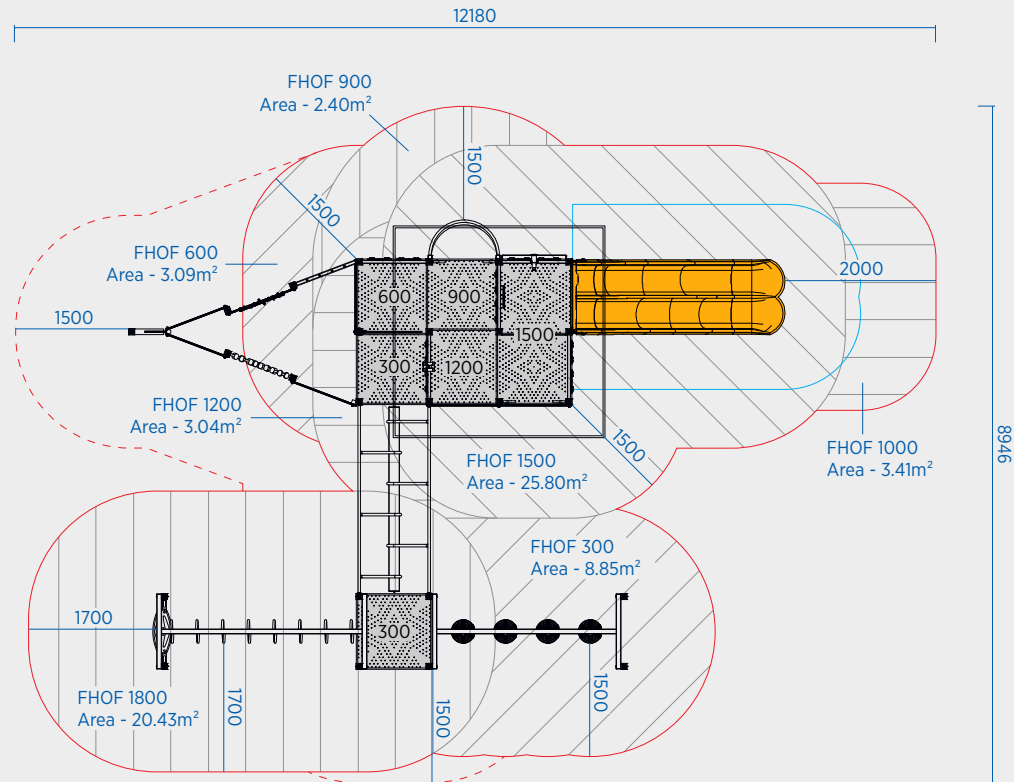


Standard Guardrail Panels: Plastic Panels



• Plans and illustrations are schematic only, actual detail may vary.
Do not scale for dimensions. Allow 5% minimum additional clearance for site variations.

Plan and Concept © Adventure Playgrounds Pty. Ltd. 2023.



SCALE 1:100

- Provide undersurfacing in accordance with AS 4422:2016. Mulch undersurfacing should be 200mm minimum compacted depth.
- Plans and illustrations are schematic only, actual details may vary. Do not scale for dimensions. Allow 5% minimum additional clearance for site variations.
- FHOF - Free Height Of Fall as per AS 4685:2021
- GC - Ground Clearance under swing attachments used to calculate impact area, free space and FHOF
- Falling Space:
 - Minimum impact area as per AS 4685:2021
 - Required free space as per AS 4685:2021
 - Recommended clearance area
 - Circulation space as per AS 4685:2021