



**Colours**

**Powder Coat**  
 Berry Grey  
 Hawthorn Green  
 Intensity Summer

**Corrugated Sheet**  
 N/A

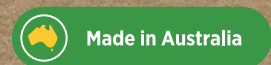
**Timber**  
 N/A

**HDPE Plastic**  
 Green/Beige/Green  
 Orange/Purple/Orange

**Wire Rope**  
 Burnt Orange

**Fibreglass Slide**  
 N/A

**Rotomoulded Plastic**  
 Orange  
 Caulfield Green



Plan and Concept © Adventure Playgrounds Pty. Ltd. 2023. Illustration and schematic only. All rights reserved. 4298U





Plan and Concept © Adventure Playgrounds Pty. Ltd. 2023. Illustrations are schematic only. Actual product may vary.

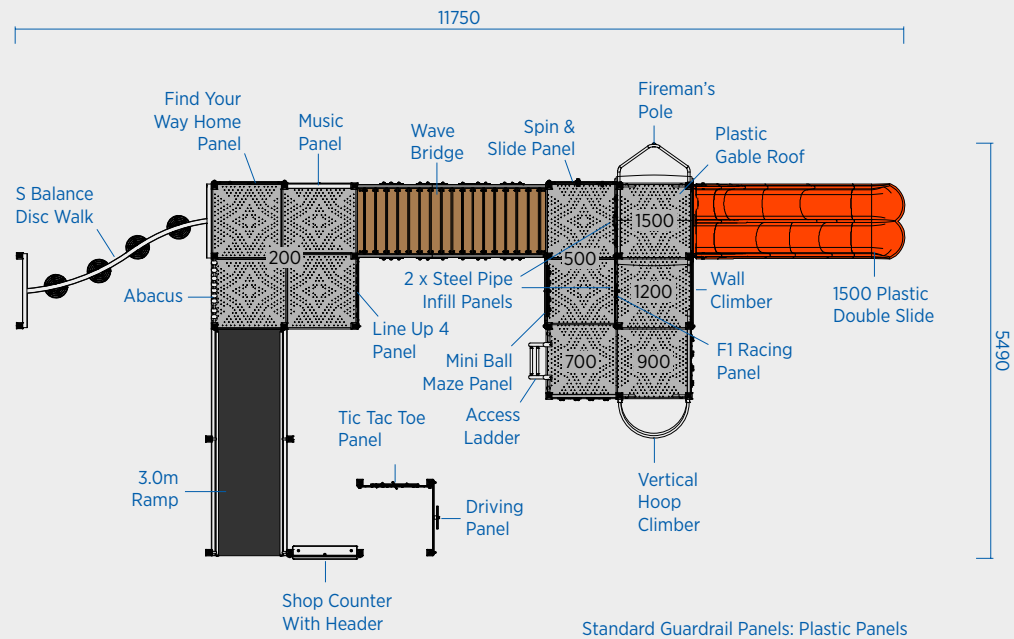
 Made in Australia





Plan and Concept © Adventure Playproducts Pty Ltd 2023. Illustrations are schematic only, actual details may vary.

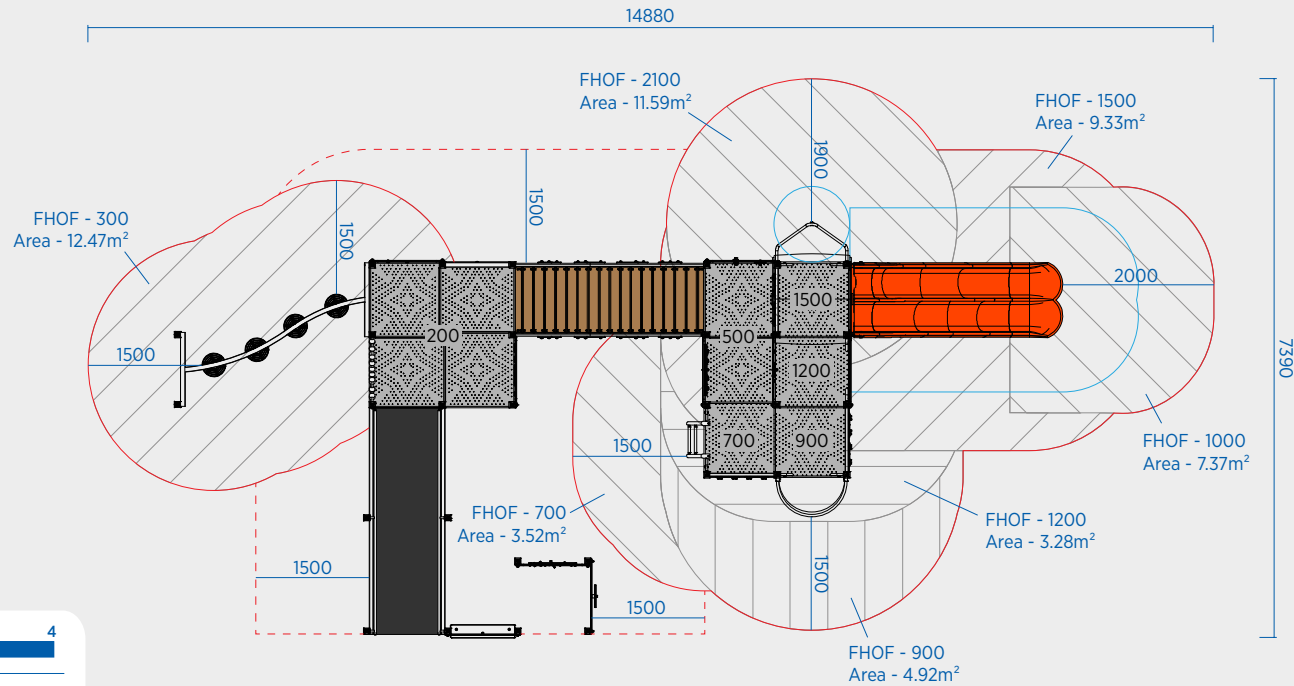




SCALE 1:100 0 1 2 3 4

• Plans and illustrations are schematic only, actual detail may vary.  
Do not scale for dimensions. Allow 5% minimum additional clearance for site variations.





SCALE 1:100

- Provide undersurfacing in accordance with AS 4422:2016. Mulch undersurfacing should be 200mm minimum compacted depth.

- Plans and illustrations are schematic only, actual details may vary. Do not scale for dimensions. Allow 5% minimum additional clearance for site variations.

- FHO - Free Height Of Fall as per AS 4685:2021

- GC - Ground Clearance under swing attachments used to calculate impact area, free space and FHO

- Falling Space:

Minimum impact area as per AS 4685:2021	Required free space as per AS 4685:2021
Recommended clearance area	Circulation space as per AS 4685:2021