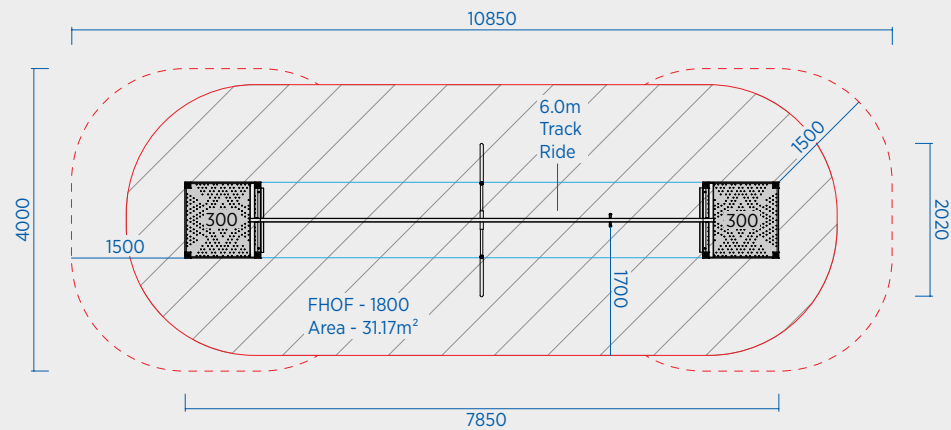




Colours  
Powder Coat  
Terrain  
Doeskin  
Pale Eucalypt

 Made in Australia





SCALE 0 1 2 3 4  
1:100

- Provide undersurfacing in accordance with AS 4422:2016. Mulch undersurfacing should be 200mm minimum compacted depth.
- Plans and illustrations are schematic only, actual details may vary. Do not scale for dimensions. Allow 5% minimum additional clearance for site variations.
- FHOF - Free Height Of Fall as per AS 4685:2021
- GC - Ground Clearance under swing attachments used to calculate impact area, free space and FHOF
- Falling Space:
 

	Minimum impact area as per AS 4685:2021		Required free space as per AS 4685:2021
	Recommended clearance area		Circulation space as per AS 4685:2021