



**Colours**

**Powder Coat**  
Berry Grey  
Dark Violet  
Intensity Reef  
Intensity Storm

**Corrugated Sheet**  
N/A

**Timber**  
N/A

**HDPE Plastic**  
Blue/Yellow/Blue  
Purple/Orange/Purple

**Wire Rope**  
N/A

**Rotomoulded Plastic**  
French Blue

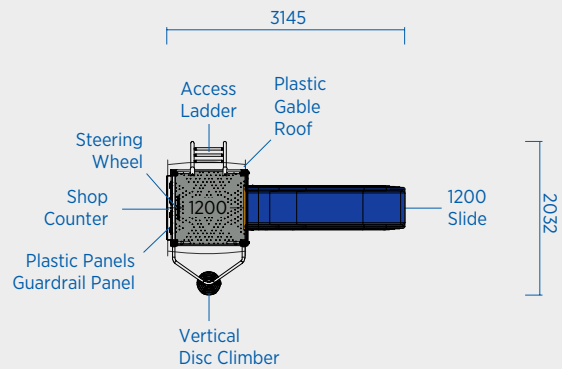
 **Made in Australia**





Plan and Concept © Adventure Playgrounds Pty. Ltd. 2023. Illustrations are schematic and not to scale.

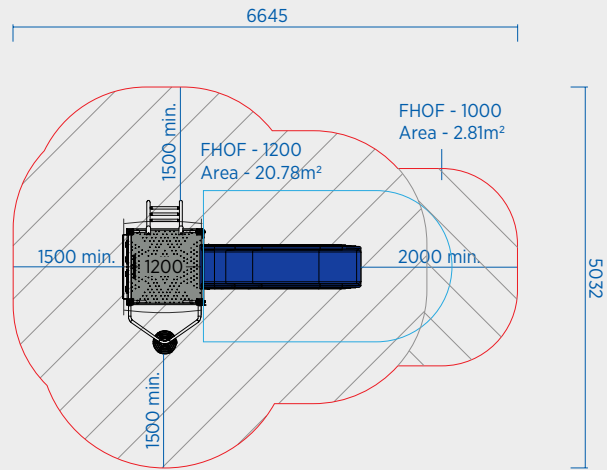
 Made in Australia



SCALE 1:100

• Plans and illustrations are schematic only, actual detail may vary.  
Do not scale for dimensions. Allow 5% minimum additional clearance for site variations.





SCALE  
1:100



- Provide undersurfacing in accordance with AS 4422:2016. Mulch undersurfacing should be 200mm minimum compacted depth.
- Plans and illustrations are schematic only, actual details may vary. Do not scale for dimensions. Allow 5% minimum additional clearance for site variations.
- FHOF - Free Height Of Fall as per AS 4685:2021
- GC - Ground Clearance under swing attachments used to calculate impact area, free space and FHOF
- Falling Space:
 

<span style="color: red;">—</span> Minimum impact area as per AS 4685:2021	<span style="color: blue;">—</span> Required free space as per AS 4685:2021
<span style="color: red;">- - -</span> Recommended clearance area	<span style="color: blue;">- - -</span> Circulation space as per AS 4685:2021