



Colours

Powder Coat

Berry Grey
Intensity Reef
Intensity Summer
Intensity Juicy Lime

Corrugated Sheet

N/A

Timber

N/A

HDPE Plastic

Blue/Bright Green/Blue
Bright Green/Orange/Bright Green

Wire Rope

N/A

Rotomoulded Plastic

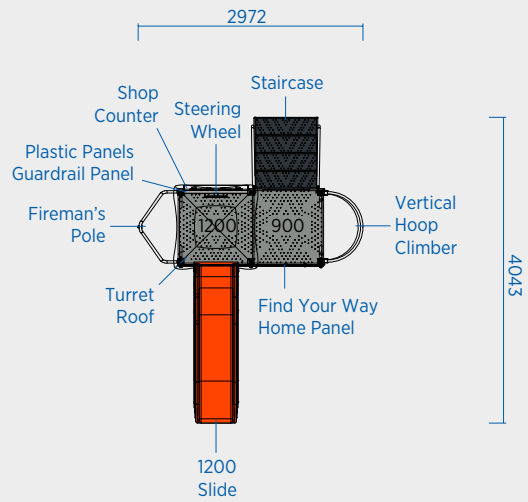
Orange

 **Made in Australia**

Plan and Concept © Adventure Playgrounds Pty. Ltd. 2022. All rights reserved. Adventure Playgrounds Pty. Ltd. is a registered trademark of Adventure Playgrounds Pty. Ltd.



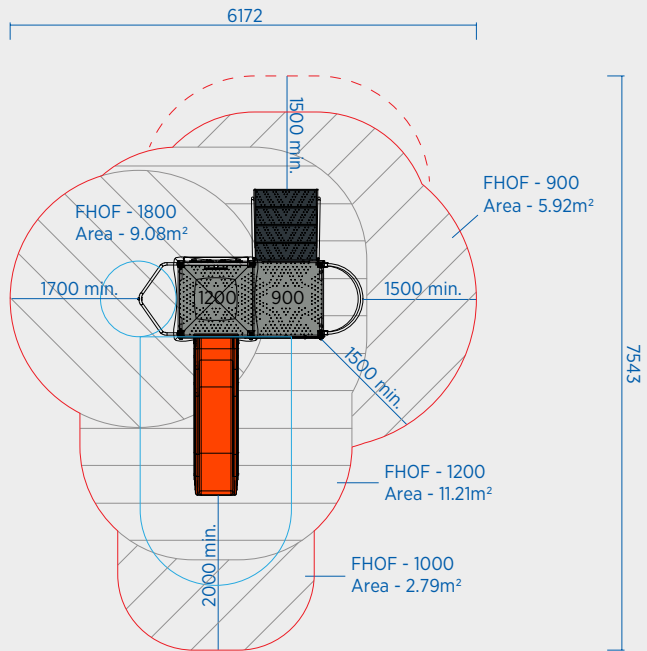
Plan and Concept © Adventure Playgrounds Pty. Ltd. 2022. Illustrations are conceptual only. Actual details may vary.



SCALE 1:100 0 1 2 3 4

• Plans and illustrations are schematic only, actual detail may vary.
Do not scale for dimensions. Allow 5% minimum additional clearance for site variations.

Plan and Concept © Adventure Playgrounds Pty. Ltd. 2023.



SCALE 1:100

- Provide undersurfacing in accordance with AS 4422:2016. Mulch undersurfacing should be 200mm minimum compacted depth.

- Plans and illustrations are schematic only, actual details may vary. Do not scale for dimensions. Allow 5% minimum additional clearance for site variations.

- FHO - Free Height Of Fall as per AS 4685:2021

- GC - Ground Clearance under swing attachments used to calculate impact area, free space and FHO

- Falling Space:

— Minimum impact area as per AS 4685:2021	— Required free space as per AS 4685:2021
- - - Recommended clearance area	- - - Circulation space as per AS 4685:2021