



- Colours**
- Powder Coat**
    - Berry Grey
    - Intensity Summer
    - Intensity Moonlight
    - Intensity Juicy Lime
  - Corrugated Sheet**
    - N/A
  - Timber**
    - N/A
  - HDPE Plastic**
    - Bright Green/Orange/Bright Green
    - Orange/Purple/Orange
  - Wire Rope**
    - Burnt Orange
  - Rotomoulded Plastic**
    - Yellow

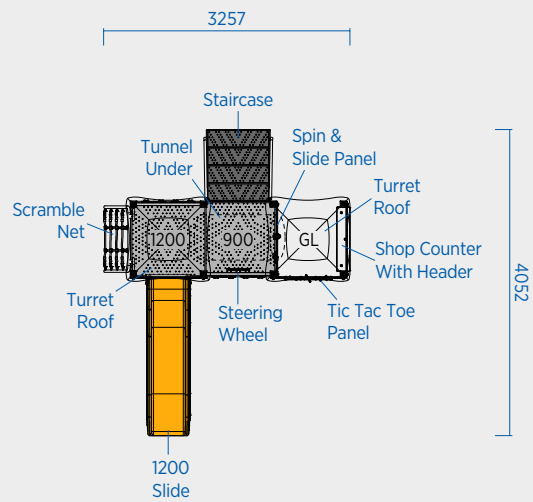
 **Made in Australia**

Plan and Concept © Adventure Playgrounds Pty Ltd 2023 - All rights reserved.



Plan and Concept © Adventure Playgrounds Pty. Ltd. 2022. All rights reserved. All trademarks are the property of their respective owners.

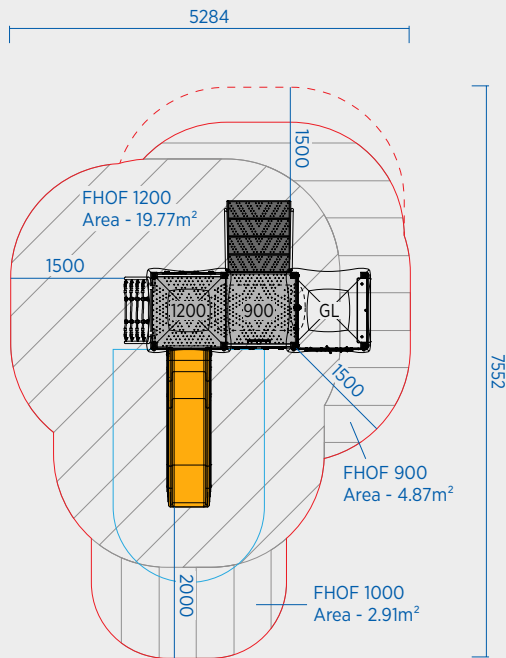
 Made in Australia



Standard Guardrail Panels: Plastic Panels

SCALE 1:100

• Plans and illustrations are schematic only, actual detail may vary.  
Do not scale for dimensions. Allow 5% minimum additional clearance for site variations.



SCALE 1:100



- Provide undersurfacing in accordance with AS 4422:2016. Mulch undersurfacing should be 200mm minimum compacted depth.
- Plans and illustrations are schematic only, actual details may vary. Do not scale for dimensions. Allow 5% minimum additional clearance for site variations.
- FHO - Free Height Of Fall as per AS 4685:2021
- GC - Ground Clearance under swing attachments used to calculate impact area, free space and FHO
- Falling Space:
 

— Minimum impact area as per AS 4685:2021	— Required free space as per AS 4685:2021
- - - Recommended clearance area	- - - Circulation space as per AS 4685:2021