



**Colours**

**Powder Coat**

- Charcoal
- Doeskin
- Shale Grey
- Intensity Reef

**Corrugated Sheet**

- Shale Grey

**Timber**

- N/A

**HDPE Plastic**

- Grey/White/Grey
- Blue/Yellow/Blue

**Wire Rope**

- Blue

**Rotomoulded Plastic**

- Light Grey
- French Blue







Plan and Concept © Adventure Playgrounds Pty. Ltd. 2023. Illustrations and photographs are for illustrative purposes only.

 Made in Australia

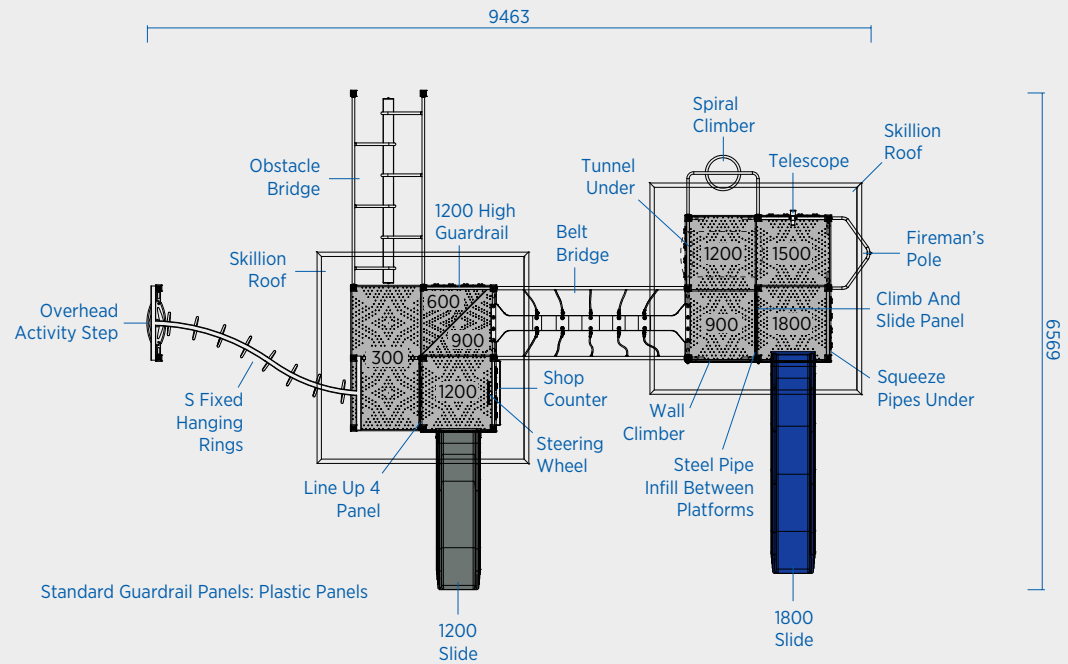




Plan and Concept © Adventure Playgrounds Pty. Ltd. 2023. Illustrations are conceptual only for illustrative purposes only.

 Made in Australia

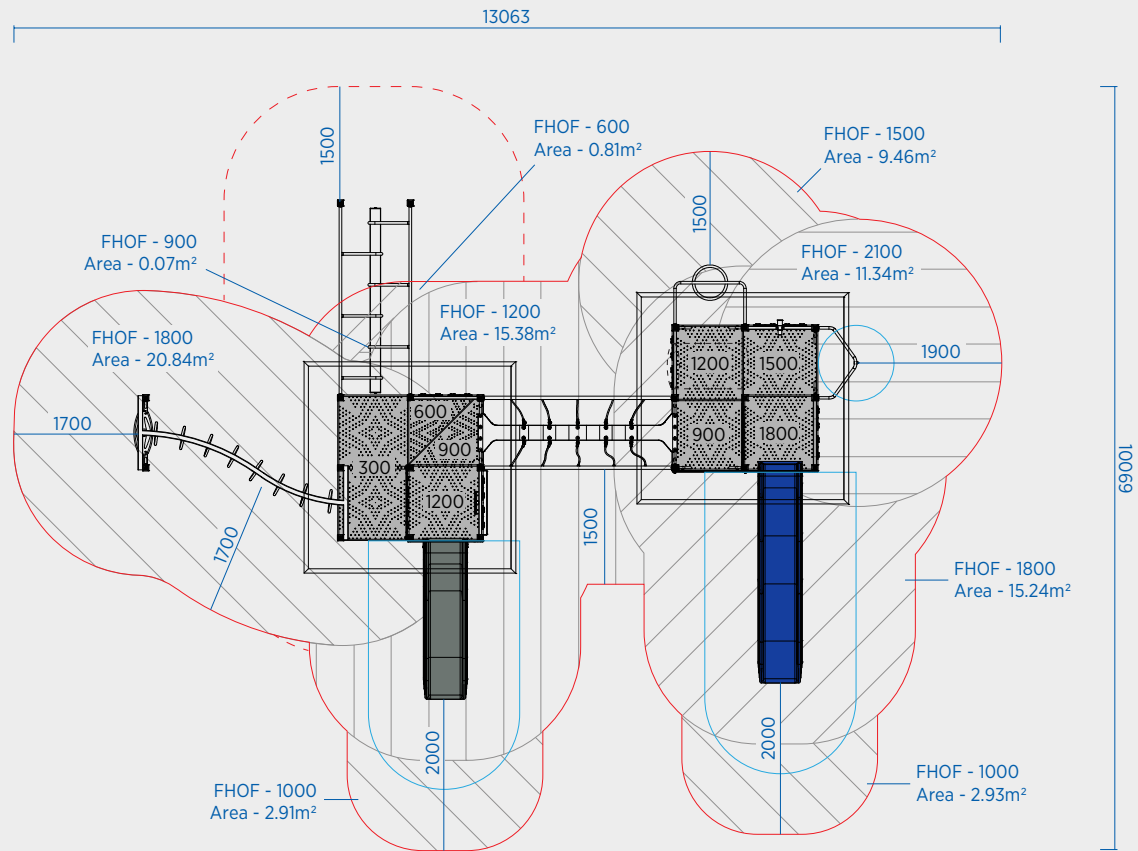




SCALE 1:100

• Plans and illustrations are schematic only, actual detail may vary.  
Do not scale for dimensions. Allow 5% minimum additional clearance for site variations.

Plan and Concept © Adventure Playgrounds Pty. Ltd. 2023.



SCALE  
1:100



- Provide undersurfacing in accordance with AS 4422:2016. Mulch undersurfacing should be 200mm minimum compacted depth.
- Plans and illustrations are schematic only, actual details may vary. Do not scale for dimensions. Allow 5% minimum additional clearance for site variations.
- FHO - Free Height Of Fall as per AS 4685:2021
- GC - Ground Clearance under swing attachments used to calculate impact area, free space and FHO
- Falling Space:
 

	Minimum impact area as per AS 4685:2021		Required free space as per AS 4685:2021
	Recommended clearance area		Circulation space as per AS 4685:2021