



Plan and Concept: © Adventure Playgrounds Pty. Ltd. 2024. Illustrations and Images: © Adventure Playgrounds Pty. Ltd.

 Made in Australia



Plan and Concept © Adventure Playgrounds Pty. Ltd. 2024. Illustrations are schematic only. Actual details may vary.

 Made in Australia

## Materials

### Main Uprights

- Galvanised Steel
- Aluminium
- N/A

### Platforms

- Galvanised Steel
- White Cypress Timber
- Aluminium
- N/A

### Guardrails

- Steel Pipe
- Plastic Panels
- Plastic Slat
- White Cypress Timber
- Perforated
- Composite
- Paling
- Custom
- N/A

## Colours

### Powder Coat

- Charcoal
- APO Grey

### Corrugated Sheet

N/A

### Timber

N/A

### Shop Counter

- HDPE
- White Cypress Timber
- Composite
- N/A

### Wall Climber/Rock Wall /Scaling Wall

- HDPE
- White Cypress Timber
- N/A

### Corrosion Protection

- Zinc Primed Welds
- Full Zinc Primer Coat

### Fasteners

- Class 3/Galvanised
- Stainless Steel

### HDPE Plastic

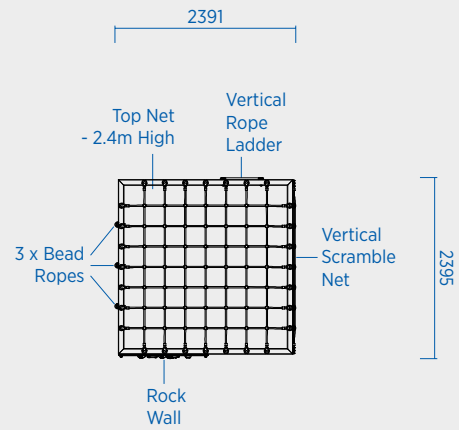
- Bright Green/Orange/
- Bright Green

### Wire Rope

Acid Green

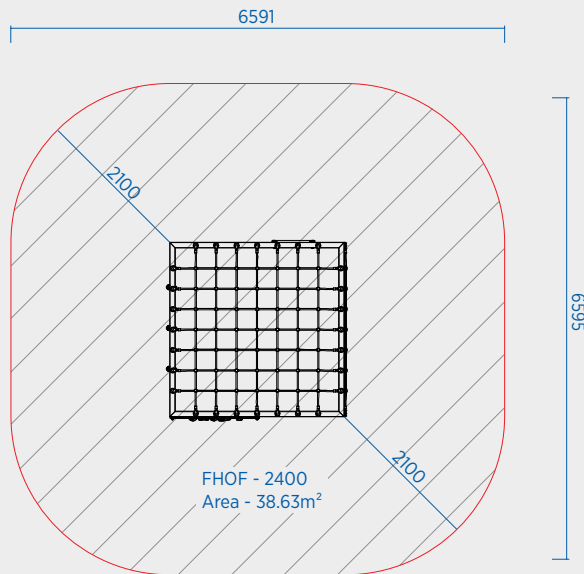
### Rotomoulded Plastic

N/A



SCALE 0 1 2 3 4  
1:100

• Plans and illustrations are schematic only, actual detail may vary.  
Do not scale for dimensions. Allow 5% minimum additional  
clearance for site variations.



SCALE 1:100

- Provide undersurfacing in accordance with AS 4422 (Int.):2022. Mulch undersurfacing should be 200mm minimum compacted depth.
- Plans and illustrations are schematic only, actual details may vary. Do not scale for dimensions. Allow 5% minimum additional clearance for site variations.
- FHO - Free Height Of Fall as per AS 4685:2021
- GC - Ground Clearance under swing attachments used to calculate impact area, free space and FHO
- Falling Space:
 

	Minimum impact area as per AS 4685:2021		Required free space as per AS 4685:2021
	Recommended clearance area		Circulation space as per AS 4685:2021