



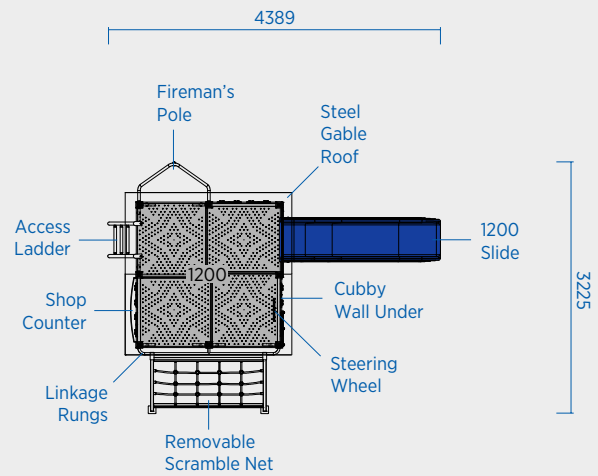
- Colours**
 - Powder Coat**
 - Berry Grey
 - Deep Pool
 - Intensity Reef
 - Intensity Juicy Lime
 - Corrugated Sheet**
 - N/A
 - Timber**
 - N/A
 - HDPE Plastic**
 - Blue/Bright Green/Blue
 - Bright Green/Orange/Bright Green
 - Wire Rope**
 - Acid Green
 - Rotomoulded Plastic**
 - French Blue

 **Made in Australia**



Plan and Concept: © Adventure Playgrounds Pty. Ltd. 2024. Illustrations are schematic only. All rights reserved.

 Made in Australia



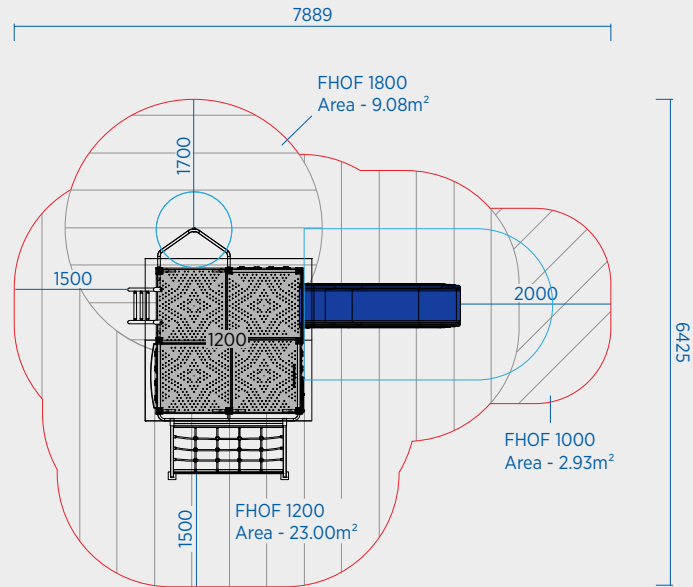
Standard Guardrail Panels: Plastic Panels

SCALE 1:100 0 1 2 3 4

• Plans and illustrations are schematic only, actual detail may vary.
Do not scale for dimensions. Allow 5% minimum additional clearance for site variations.

Note: This Play Unit Is Suitable For Supervised Early Childhood Settings Only

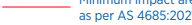
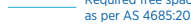

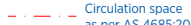
Plan and Concept © Adventure Playgrounds Pty. Ltd. 2024.



SCALE 1:100



- Provide undersurfacing in accordance with AS 4422:2016. Mulch undersurfacing should be 200mm minimum compacted depth.
- Plans and illustrations are schematic only, actual details may vary. Do not scale for dimensions. Allow 5% minimum additional clearance for site variations.
- FHOF - Free Height Of Fall as per AS 4685:2021
- GC - Ground Clearance under swing attachments used to calculate impact area, free space and FHOF
- Falling Space:

 Minimum impact area as per AS 4685:2021	 Required free space as per AS 4685:2021
 Recommended clearance area	 Circulation space as per AS 4685:2021