



Plan and Concept © Adventure Playgrounds Pty. Ltd. 2024. Illustrations are for information only, actual play unit may vary.

 Made in Australia



Plan and Concept: © Adventure Playgrounds Pty. Ltd. 2024. Illustrations are schematic only, actual details may vary.

Materials

Main Uprights

- Galvanised Steel
- Aluminium
- N/A

Shop Counter

- HDPE
- White Cypress Timber
- Composite
- N/A

Platforms

- Galvanised Steel
- White Cypress Timber
- Aluminium
- N/A

Wall Climber/Rock Wall /Scaling Wall

- HDPE
- White Cypress Timber
- N/A

Guardrails

- Steel Pipe
- Plastic Panels
- Plastic Slat
- White Cypress Timber
- Perforated
- Composite
- Paling
- Custom
- N/A

Corrosion Protection

- Zinc Primed Welds
- Full Zinc Primer Coat

Fasteners

- Class 3/Galvanised
- Stainless Steel

Colours

Powder Coat

- Charcoal
- Dark Violet
- Intensity Leaf

HDPE Plastic

- Purple/Orange/Purple
- Red/Yellow/Red

Corrugated Sheet

N/A

Wire Rope

N/A

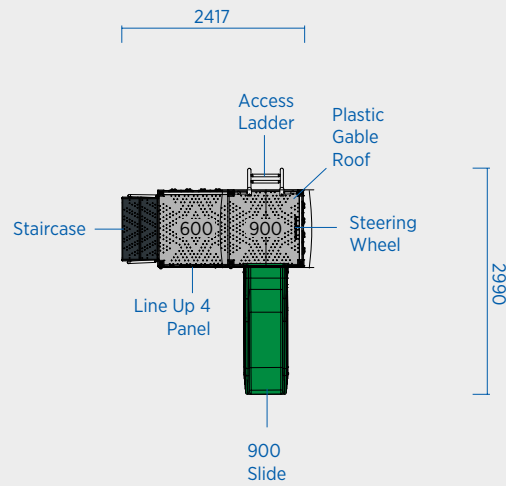
Timber

N/A

Rotomoulded Plastic

Plasmo Green

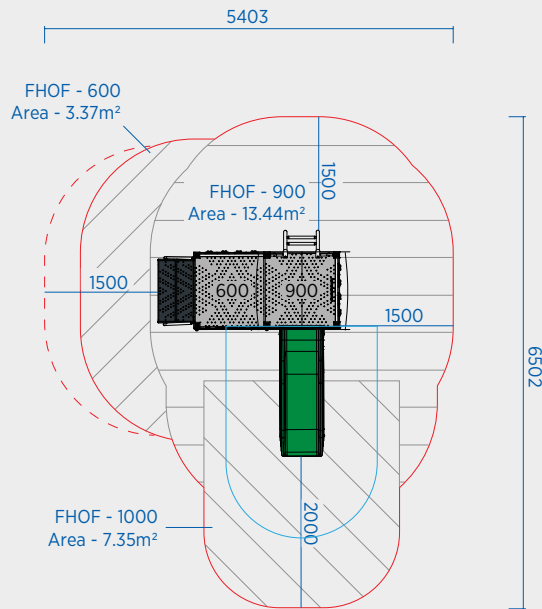




SCALE 1:100

• Plans and illustrations are schematic only, actual detail may vary.
 Do not scale for dimensions. Allow 5% minimum additional clearance for site variations.

Plan and Concept © Adventure Playgrounds Pty. Ltd. 2024.



SCALE
1:100

- Provide undersurfacing in accordance with AS 4422 (Int.):2022. Mulch undersurfacing should be 200mm minimum compacted depth.
- Plans and illustrations are schematic only, actual details may vary. Do not scale for dimensions. Allow 5% minimum additional clearance for site variations.
- FHO - Free Height Of Fall as per AS 4685:2021
- GC - Ground Clearance under swing attachments used to calculate impact area, free space and FHO
- Falling Space:

	Minimum impact area as per AS 4685:2021		Required free space as per AS 4685:2021
	Recommended clearance area		Circulation space as per AS 4685:2021