



Plan and Concept © Adventure Playgrounds Pty. Ltd. 2024. Illustrations are schematic only. Actual details may vary.

 Made in Australia



Plan and Concept: © Adventure Playgrounds Pty. Ltd. 2024. All illustrations are schematic only, actual details may vary.

Materials

Main Uprights

- Galvanised Steel
- Aluminium
- N/A

Platforms

- Galvanised Steel
- White Cypress Timber
- Aluminium
- N/A

Guardrails

- Steel Pipe
- Plastic Panels
- Plastic Slat
- White Cypress Timber
- Perforated
- Composite
- Paling
- Custom
- N/A

Colours

Powder Coat

Terrain
Wedgewood

Corrugated Sheet

N/A

Timber

N/A

Shop Counter

- HDPE
- White Cypress Timber
- Composite
- N/A

Wall Climber/Rock Wall /Scaling Wall

- HDPE
- White Cypress Timber
- N/A

Corrosion Protection

- Zinc Primed Welds
- Full Zinc Primer Coat

Fasteners

- Class 3/Galvanised
- Stainless Steel

HDPE Plastic

Green/Beige/Green

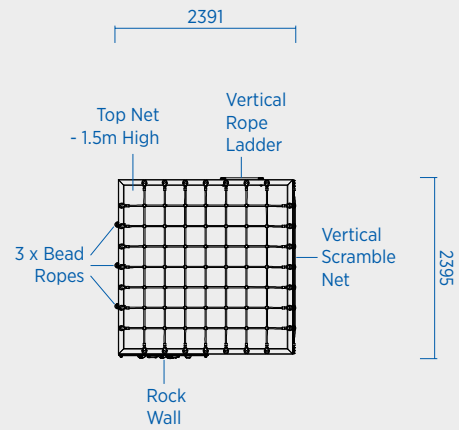
Wire Rope

Olive Green
Beige

Rotomoulded Plastic

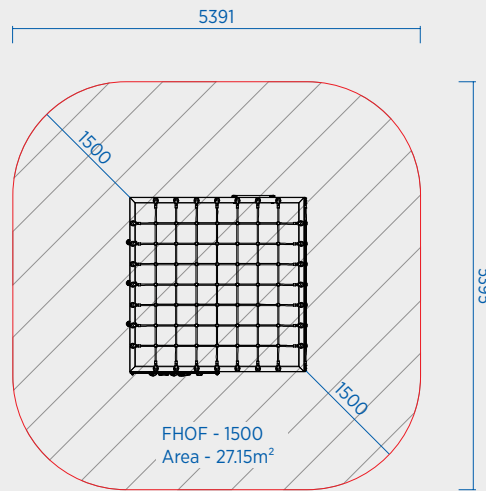
N/A





SCALE 0 1 2 3 4
1:100

• Plans and illustrations are schematic only, actual detail may vary.
Do not scale for dimensions. Allow 5% minimum additional clearance for site variations.



SCALE
1:100

- Provide undersurfacing in accordance with AS 4422 (Int.):2022. Mulch undersurfacing should be 200mm minimum compacted depth.
- Plans and illustrations are schematic only, actual details may vary. Do not scale for dimensions. Allow 5% minimum additional clearance for site variations.
- FHOF - Free Height Of Fall as per AS 4685:2021
- GC - Ground Clearance under swing attachments used to calculate impact area, free space and FHOF
- Falling Space:

Minimum impact area as per AS 4685:2021	Required free space as per AS 4685:2021
Recommended clearance area	Circulation space as per AS 4685:2021