



Colours

Powder Coat

Deep Pool
APO Grey
Intensity Reef

Corrugated Sheet

N/A

Timber

N/A

HDPE Plastic

Grey White/Grey
Blue/Yellow/Blue

Wire Rope

Blue

Fibreglass Slide

Central Blue

Rotomoulded Plastic

N/A

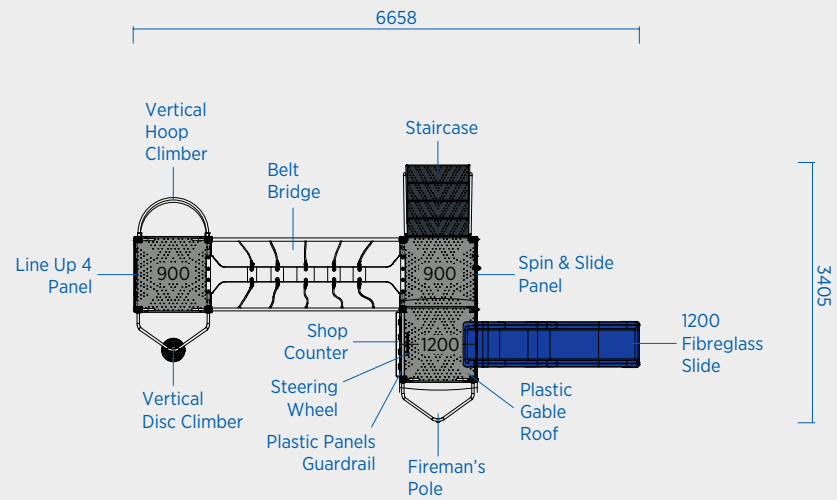


Made in Australia



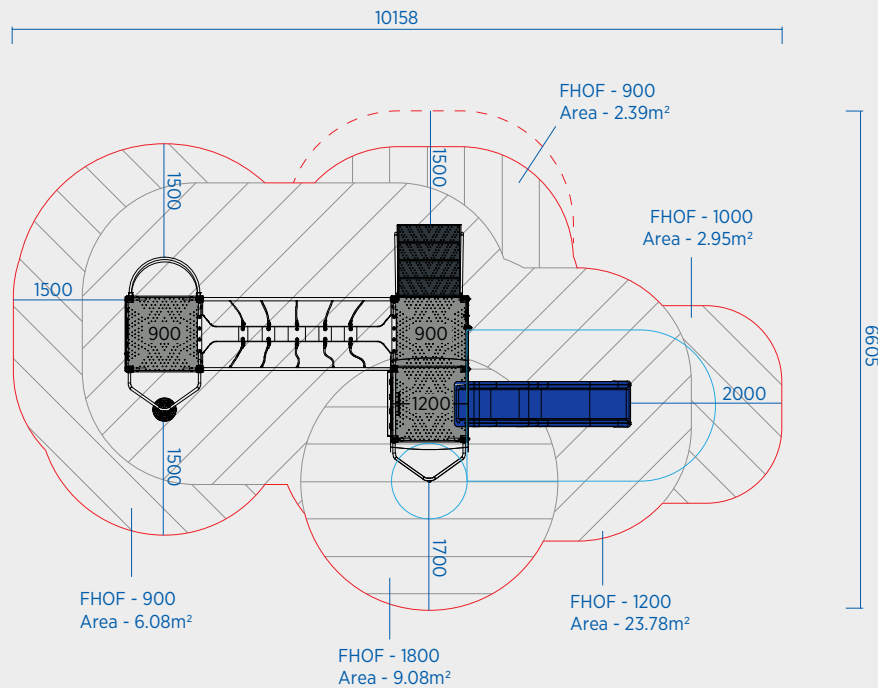
Plan and Concept - © Adventure Playgrounds Pty. Ltd. 2023. Illustrations are schematic only, not at school's expense.

 Made in Australia



SCALE 1:100

• Plans and illustrations are schematic only, actual detail may vary.
Do not scale for dimensions. Allow 5% minimum additional clearance for site variations.



SCALE
1:100

- Provide undersurfacing in accordance with AS 4422:2016. Mulch undersurfacing should be 200mm minimum compacted depth.
- Plans and illustrations are schematic only, actual details may vary. Do not scale for dimensions. Allow 5% minimum additional clearance for site variations.
- FHO - Free Height Of Fall as per AS 4685:2021
- GC - Ground Clearance under swing attachments used to calculate impact area, free space and FHO
- Falling Space:

	Minimum impact area as per AS 4685:2021		Required free space as per AS 4685:2021
	Recommended clearance area		Circulation space as per AS 4685:2021